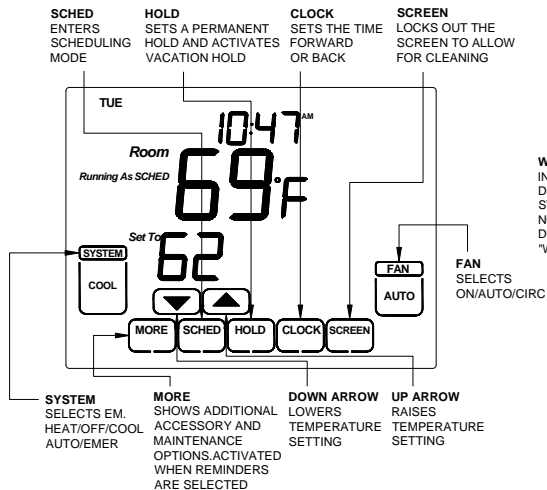


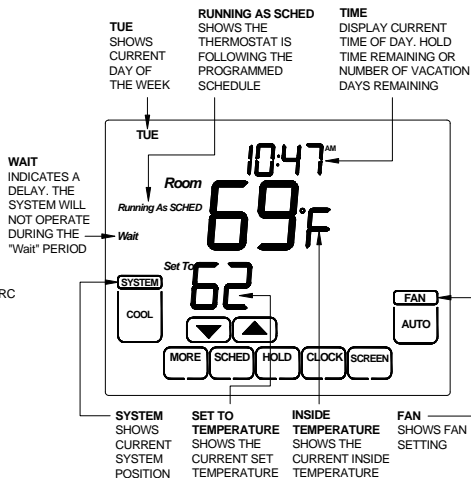
## Quick Start

## STS32 Touchscreen Programmable Thermostat

### Thermostat Keys



### Thermostat Display



**SYSTEM** Selections vary based on your heating and/or cooling system type.

**HEAT** Thermostat controls the heating system.

**OFF** Both heating and cooling systems are off.

**COOL** Thermostat controls the cooling system.

**AUTO** Thermostat changes between heat and cool operation, depending on indoor temperature.

**EMER** Emergency heat cycles to maintain temperature. Compressor is locked out (used only for 2H/1C or 3H/2C heat pump systems) and auxiliary heat turns on as second stage if needed.

**FAN** The Fan key selections vary based on the heating and/or cooling system type.

**ON** Fan runs continuously, for improved air circulation or for more efficient central air cleaning.

**AUTO** Fan follows the fan program schedule.

**CIRC** Fan runs randomly approximately 35% of the time when there is no call for cooling or heating. Use this setting for improved air circulation or for more efficient central air cleaning when you do not want the fan running continuously.

### **Attention User:**

- See pages 62 to 78 for operation information.
- User Setup instructions (includes date) - pages 64 to 67.
- Programming - pages 68 to 72.
- Override Schedule - page 73.
- Set override (vacation) - page 74 to 75.
- Replace Batteries – page 77 to 79.
- Fan Schedule - page 72.
- Set Time - page 77.
- Clean Screen - page 76.