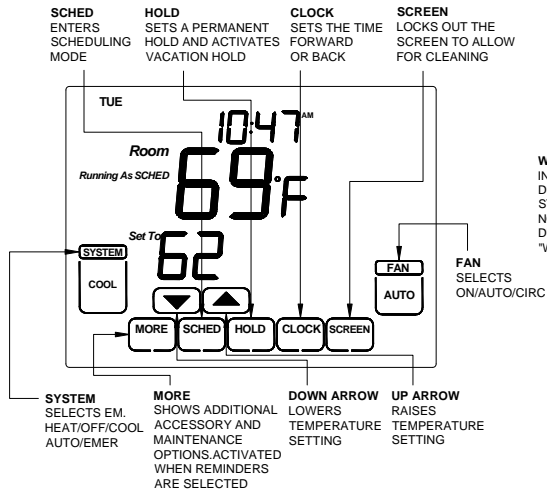


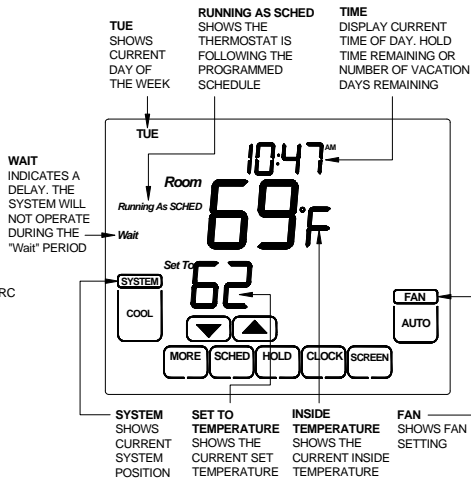
Quick Start

STS11 Touchscreen Programmable Thermostat

Thermostat Keys



Thermostat Display



SYSTEM Selections vary based on your heating and/or cooling system type.

HEAT Thermostat controls the heating system.

OFF Both heating and cooling systems are off.

COOL Thermostat controls the cooling system.

AUTO Thermostat changes between heat and cool operation, depending on indoor temperature.

EMER Emergency heat cycles to maintain temperature. Compressor is locked out (used only for 2H/1C or 3H/2C heat pump systems) and auxiliary heat turns on as second stage if needed.

FAN The Fan key selections vary based on the heating and/or cooling system type.

ON Fan runs continuously, for improved air circulation or for more efficient central air cleaning.

AUTO Fan follows the fan program schedule.

CIRC Fan runs randomly approximately 35% of the time when there is no call for cooling or heating. Use this setting for improved air circulation or for more efficient central air cleaning when you do not want the fan running continuously.

Attention User:

- See pages 56 to 61 for operation information.
- User Setup instructions (includes date) - pages 58 to 61.
- Programming - pages 62 to 70.
- Override Schedule - page 65.
- Set override (vacation) - page 69.
- Replace Batteries – page 71 to 73.
- Fan Schedule - page 66.
- Set Time - page 67.
- Clean Screen - page 70.