



## CONDENSER FAN MOTORS - ENCLOSED AIR OVER

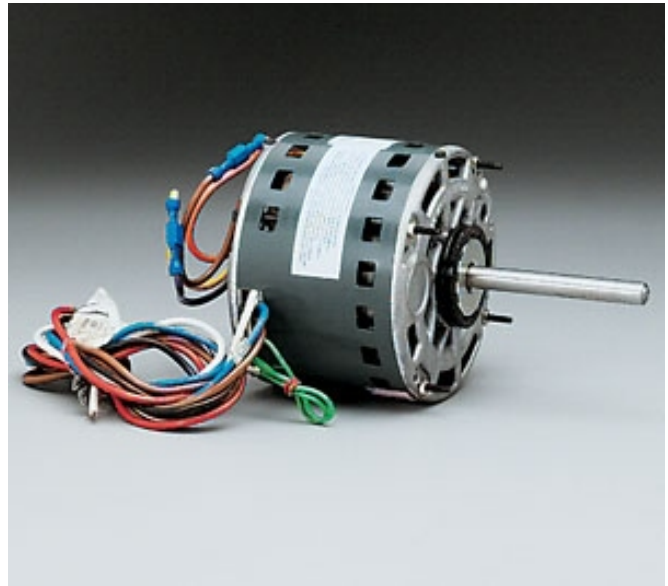
Designed for all position mounting Shaft up, down or horizontal

### FEATURES

- \*60 C rated Can be used for replacement of totally enclosed or open air over motors
- \*Extended mounting studs on both sides for easy mounting
- \*1/2" x 5" long shaft
- \*High performance self aligning sleeve bearing w/ hardened steel thrust washers or ball bearing
- \*60 Hz

### APPLICATIONS

- \*A/C condenser fans
- \*Heat Pump condenser fans



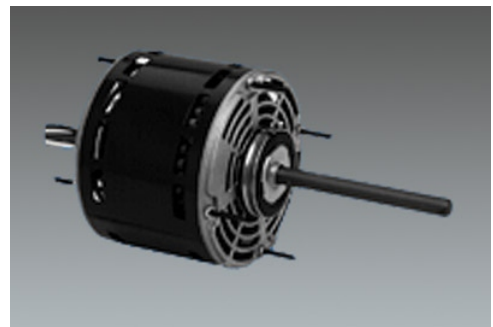
URI Catalog Number	IRP Catalog Number	HP	VOLTAGE	RPM	AMPS	ROTATION	SPEEDS	CAPACITOR	CASE LENGTH (INCHES)	WEIGHT (LBS)
<b>Condenser Fan Motors</b>										
2CF146X	160-0001	1/4	208-230	1075	1.7	REVERSIBLE	1	5 X 370V	4.1	12
2CF136X	160-0002	1/3	208-230	1075	2.1	REVERSIBLE	1	7.5 X 370 V	4.6	14
2CF126X	160-0003	1/2	208-230	1075	2.9	REVERSIBLE	1	10 X 370 V	5.1	17

URI Catalog Number	IRP Catalog Number	EMERSON	AO SMITH	GE	UNIVERSAL	FASCO	MARATHON
<b>Condenser Fan Motors</b>							
2CF146X	160-0001	1860E	FSE1026S(VI)	S3728	UE176	D909	X412
2CF136X	160-0002	1861E	FSE1036S(VI)	S3729	UE175	D908	X413
2CF126X	160-0003	1862E	FSE1056S(VI)	S3730	UE187	D740/D907	X414

## BLOWER MOTORS

### FEATURES

- \*Extended studs for mounting flexibility\*Auto Protector
- \*2.5" diameter hub rings included\*Class "B" Insulation
- \*24" leads \*Continuous Air Over
- \*1/2" x 5" shaft\*Open Construction
- \*PSC\*Ring Adapters
- \*Thermal Protected\*UL/CSA approved
- \*60 Hz



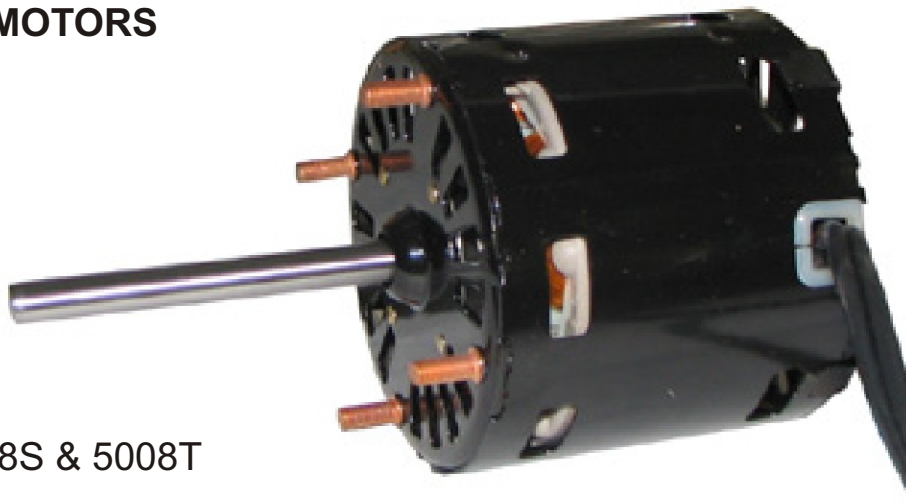
URI Catalog Number	IRP Catalog Number	HP	VOLTAGE	RPM	AMPS	ROTATION	SPEEDS	CAPACITOR	CASE LENGTH (INCHES)	WEIGHT (LBS)
<b>Blower Motors</b>										
1BM136X	160-0004	1/3	115	1075	5.2	REVERSIBLE	3	5 X 370V	4.3	14
2BM136X	160-0005	1/3	208-230	1075	2.4	REVERSIBLE	3	5 X 370V	4.3	13

URI Catalog Number	IRP Catalog Number	EMERSON	AO SMITH	GE	UNIVERSAL	FASCO	MARATHON
<b>Blower Motors</b>							
1BM136X	160-0004	1864E	DL1036	S3585	UE532	D727	X002
2BM136X	160-0005	1972E	D1036	S3586	UE529	D723	X003

# EVAPORATOR BLOWER MOTORS

## FEATURES

- \*Shaded pole
- \*Air over
- \*Thermal protected
- \*Continuous duty
- \*UL/CSA approved
- \*5/16" x 3" shaft
- \*60 Hz\*Replaces Bohn 5008S & 5008T
- \*Includes molded plug



## APPLICATION

Most low profile Evaporators

URI Catalog Number	IRP Catalog Number	HP	VOLTAGE	RPM	AMPS	ROTATION	SPEEDS	CASE LENGTH (INCHES)	WEIGHT (LBS)
<b>Evaporator Motor</b>									
1EM1152X	160-0006	1/15	115	1550	2.1	CW	1	3	4.5
2EM1152X	160-0007	1/15	208-230	1550	1.1	CW	1	3.57	4.5

URI Catalog Number	IRP Catalog Number	BOHN	AO SMITH/UNIV
<b>Evaporator Motor</b>			
1EM1152X	160-0006	5008S	UE572
2EM1152X	160-0007	5008T	UE573



VOLTAGE		TYPE		HP		POLE (RPM)					
Identifier	Voltage	Identifier	Description	Identifier	Horse Power	Identifier	RPM				
1	115V	BM	BLOWER MOTOR	115	1/15	6	1075				
2	230V	CF	CONDENSOR FAN	110	1/10	8	825				
4	480V	EM	EVAPORATOR MOTOR	18	1/8	4	1625				
<table border="1" style="width: 100%;"> <tr> <th colspan="2">MOTOR PART NUMER MATRIX</th> </tr> <tr> <td>example</td> <td>2CF146X</td> </tr> </table>				MOTOR PART NUMER MATRIX		example	2CF146X	16	1/6	2	1550
				MOTOR PART NUMER MATRIX							
				example	2CF146X						
				14	1/4						
				13	1/3						
				12	1/2						
34	3/4										